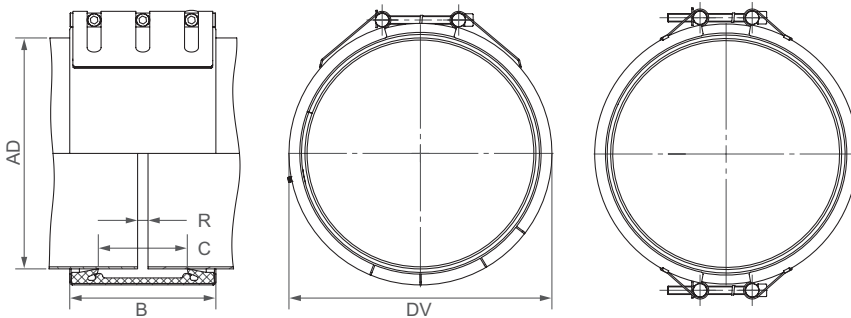


STRAUB-OPEN-FLEX 3 | \varnothing 219.1 - 4064.0 mm

| Components / Materials | W1 | W2 | W4 | W5 |
|--|---|------------------------------|----|------------------------------|
| Casing | S355MC, hot-dip galvanised | AISI 316 L or similar | | AISI 316 L or similar |
| Bolts | AISI 4135 | AISI 4135 | | A4 - 80 |
| Bars | AISI 12L14, galvanised | AISI 12L14, galvanised | | AISI 316 L or similar |
| Strip insert (option) | AISI 316 L or similar / HDPE | AISI 316 L or similar / HDPE | | AISI 316 L or similar / HDPE |
| Sealing sleeve EPDM | Temp.: -20°C up to +100°C Medium: all qualities of water, waste water, air, solids and chemical products | | | |
| Sealing sleeve NBR | Temp.: -20°C up to +80°C Medium: water, gas, oil, fuel and other hydrocarbons | | | |
| Sealing sleeve FPM/FKM (on request) | Temp.: -20°C up to +180°C Medium: ozone, oxygen, acids, gas, oil and fuel (only with strip insert) | | | |



B \varnothing 210 up to 218 mm
 DV \varnothing OD + 38 mm
 C \varnothing 127 mm
 R with strip insert \varnothing 60 mm
 R without strip insert \varnothing 15 mm

| | |
|--|----------------------|
| | W2 or W5 |
| | W1, W2 or W5 |
| | W1 or W5 |
| | only in W1 available |

| OD [mm] | Clamping range [mm] | PN | | | | | |
|------------|------------------------|-----|---|----|----|----|----|
| | | 2.5 | 6 | 10 | 16 | 20 | 25 |
| 219.1 | 216 - 222 | | | | | | |
| 250.0 | 247 - 253 | | | | | | |
| 267.0 | 264 - 270 | | | | | | |
| 273.0 | 270 - 276 | | | | | | |
| 304.0 | 301 - 307 | | | | | | |
| 323.9 | 321 - 327 | | | | | | |
| 355.6 | 352 - 358 | | | | | | |
| 406.4 | 403 - 409 | | | | | | |
| 457.2 | 454 - 460 | | | | | | |
| 508.0 | 504 - 512 | | | | | | |
| 558.8 | 555 - 562 | | | | | | |
| 609.6 | 606 - 613 | | | | | | |
| 711.2 | 707 - 715 | | | | | | |
| 762.0 | 758 - 766 | | | | | | |
| 812.8 | 809 - 817 | | | | | | |
| 914.4 | 910 - 918 | | | | | | |
| 1016.0 | 1012 - 1020 | | | | | | |
| 1117.6 | 1113 - 1122 | | | | | | |
| 1219.2 | 1215 - 1224 | | | | | | |
| 1320.8 | 1316 - 1325 | | | | | | |
| 1422.4 | 1418 - 1427 | | | | | | |
| 1524.0 | 1519 - 1529 | | | | | | |
| 1600.0 | 1595 - 1605 | | | | | | |
| 1625.6 | 1621 - 1631 | | | | | | |
| 1727.2 | 1722 - 1732 | | | | | | |
| 1828.8 | 1824 - 1834 | | | | | | |
| 1930.4 | 1925 - 1935 | | | | | | |
| 2032.0 | 2027 - 2037 | | | | | | |
| 2268.0 | 2263 - 2273 | | | | | | |
| 2540.0 | 2535 - 2545 | | | | | | |
| 2794.0 | 2789 - 2799 | | | | | | |
| 3048.0 | 3043 - 3053 | | | | | | |
| 3302.0 | 3296 - 3308 | | | | | | |
| 3556.0 | 3548 - 3562 | | | | | | |
| 3810.0 | 3804 - 3816 | | | | | | |
| 4064.0 | 4058 - 4070 | | | | | | |

CONTINUOUSLY VARIABLE INTERMEDIATE SIZES FROM 219.1 TO 4064.0 mm ARE AVAILABLE

Remarks:

- Follow fitting instructions
- PN = working pressure considering the application loads
Test pressure = PN x 1.5 (e.g. industry, water supply etc.)
- Strip inserts are optional accessories (see Technical Manual STRAUB)
- Additional sealing sleeves, pressure and temperature ranges on request

Versions:

| PN | | | | | | 1 piece (slotted) [mm] | 2 piece casing [mm] | 3 piece casing [mm] |
|-----|---|----|----|----|----|--|------------------------|------------------------|
| 2.5 | 6 | 10 | 16 | 20 | 25 | | | |
| x | | | | | | 219.1 - 1219.2 (2 pc casing on order) | 1219.2 - 3048.0 | > 3048.0 |
| | x | | | | | 508.0 - 914.4 (2 pc casing on order) | 219.1 - 508.0 | > 3048.0 |
| | | x | | | | 508.0 (2 pc casing on order) | 914.4 - 3048.0 | > 3048.0 |
| | | | x | x | x | | 219.1 - 3048.0 | |
| | | | | | | | 219.1 - 2540.0 | |

\Rightarrow pressure rating definition, see above