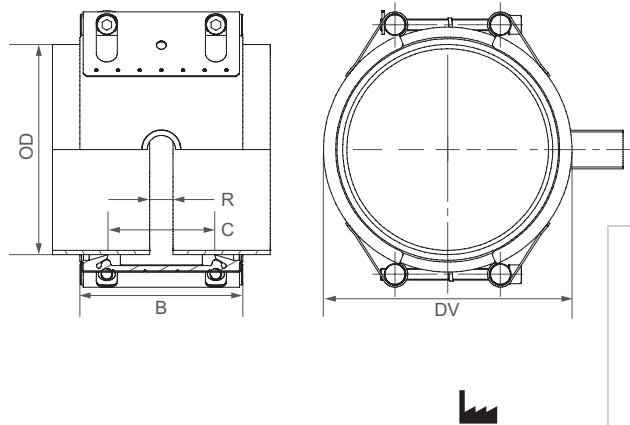


STRAUB-OPEN-FLEX 2 GT | \varnothing 172.0 - 2032.0 mm

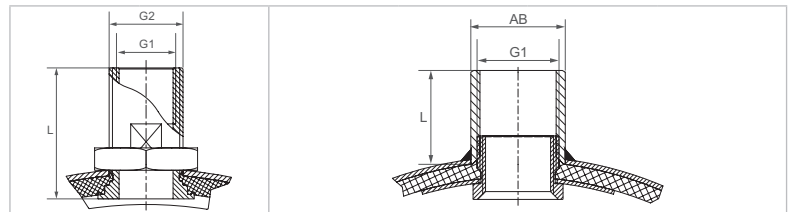
(with side outlet)

Components / Materials	W1	W2	W4	W5
Casing	S355MC, hot-dip galvanised	AISI 316 L or similar		AISI 316 L or similar
Bolts	AISI 4135	AISI 4135		A4 - 80
Bars	AISI 12L 14, galvanised	AISI 12L 14, galvanised		AISI 316 L or similar
Strip insert (on request)	AISI 316 L / HDPE	AISI 316 L / HDPE		AISI 316 L / HDPE
GT side outlet	AISI 316 L	AISI 316 L		AISI 316 L

Sealing sleeve EPDM	Temp.: -20°C up to +70°C			
	Medium: all qualities of water, waste water, air, solids and chemical products			
Sealing sleeve NBR	Temp.: -20°C up to +70°C			
	Medium: water, gas, oil, fuel and other hydrocarbons			



DV \varnothing OD + 27 mm
 C \varnothing 91 mm
 R with strip insert \varnothing 35 mm
 R without strip insert \varnothing 10 mm



		PN					version 1	version 2	version 3	version 4	version 5	version 6
		2.5	6	10	16	20	screwed	screwed	welded	welded	welded	welded
G1							G 1/4"	G 3/4"	G 1"	G 1 1/4"	G 1 1/2"	G 2"
G2 / AB							G 1/2"	G 1"	39.5 mm	48.3 mm	54.5 mm	66.3 mm
L									43.0 mm	48.0 mm	48.0 mm	56.0 mm
OD [mm]	Clamping range [mm]											
172.0	170 - 174						X	X				
180.0	178 - 182						X	X	X			
200.0	198 - 202						X	X	X			
219.1	217 - 222						X	X	X			
250.0	248 - 253						X	X	X			
267.0	264 - 270						X	X	X			
273.0	270 - 276						X	X	X	X		
304.0	301 - 307						X	X	X	X		
323.9	321 - 327						X	X	X	X		
355.6	353 - 358						X	X	X	X		
406.4	404 - 409						X	X	X	X	X	
457.2	454 - 460						X	X	X	X	X	
508.0	505 - 511						X	X	X	X	X	
558.8	556 - 562						X	X	X	X	X	X
609.6	606 - 613						X	X	X	X	X	X
711.2	708 - 715						X	X	X	X	X	X
762.0	758 - 766						X	X	X	X	X	X
812.8	809 - 817						X	X	X	X	X	X
914.4	910 - 918						X	X	X	X	X	X
1016.0	1012 - 1020						X	X	X	X	X	X
1117.6	1114 - 1122						X	X	X	X	X	X
1219.2	1215 - 1224						X	X	X	X	X	X
1320.8	1316 - 1325						X	X	X	X	X	X
1422.4	1418 - 1427						X	X	X	X	X	X
1524.0	1519 - 1529						X	X	X	X	X	X
1600.0	1595 - 1605						X	X	X	X	X	X
1625.6	1621 - 1631						X	X	X	X	X	X
1727.2	1722 - 1732						X	X	X	X	X	X
1828.8	1824 - 1834						X	X	X	X	X	X
1930.4	1925 - 1935						X	X	X	X	X	X
2032.0	2027 - 2037						X	X	X	X	X	X

CONTINUOUSLY VARIABLE INTERMEDIATE SIZES FROM 172.0 TO 2032.0 mm ARE AVAILABLE
 STRAUB-OPEN-FLEX 3 GT, 3.5 GT AND 4 GT WITH OUTLET G3/4"/1" AVAILABLE AS WELL

Remarks:

- Follow fitting instructions
- PN = working pressure considering the application loads
 Test pressure = PN x 1.5 (for example industry, water supply etc.)
- Version 1 + 2 with outside- and inside thread
- Version 3 - 6 with inside thread and outside blank (AB)
- Only in two-piece version available

