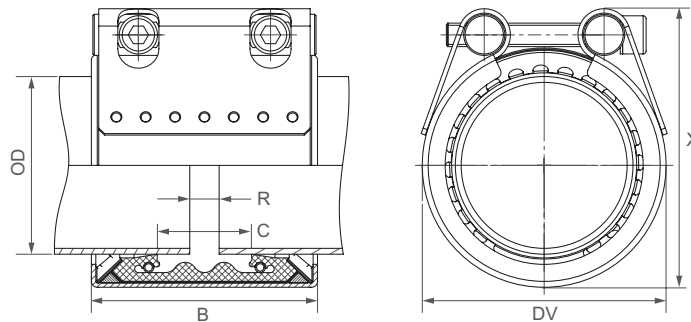


STRAUB-METAL-GRIP | \varnothing 30.0 - 219.1 mm

Components / Materials	W1	W2	W4	W5
Casing		AISI 316 L	AISI 316 L	AISI 316 L or similar
Bolts		AISI 4135	A4 - 80	A4 - 80
Bars		AISI 12L14, galvanised	AISI 304	AISI 316 L or similar
Anchoring rings		AISI 301	AISI 301	AISI 301
Strip insert (option)		AISI 316 L or similar / PVDF	AISI 316 L or similar / PVDF	AISI 316 L or similar / PVDF




Sealing sleeve EPDM	Temp.: -30°C up to +100°C
	Medium: all qualities of water, waste water, air, solids and chemical products
Sealing sleeve NBR	Temp.: -20°C up to +80°C
	Medium: water, gas, oil, fuel and other hydrocarbons



OD [mm]	Clamping range [mm]	PN [bar]	PN [bar]	B [mm]	C [mm]	DV [mm]	X [mm]	R without strip insert [mm]	R with strip insert [mm]	Torque rate [Nm]	Allen head [mm]	Thread M...
30.0	29.5 - 30.5	67.0	16.0	46/67	18	47	56	5	5	10	6	8
33.7	33.2 - 34.2	62.0	16.0	46/67	18	52	63	5	5	10	6	8
38.0	37.5 - 38.5	58.0	16.0	61	19	58	73	5	5 - 10	15	6	8
42.4	41.9 - 42.9	53.0	16.0	61	20	62	76	5	5 - 10	15	6	8
44.5	44.0 - 45.0	48.0	16.0	61	20	64	80	5	5 - 10	15	6	8
48.3	47.8 - 48.8	44.0	16.0	61	20	68	83	5	5 - 10	15	6	8
54.0	53.5 - 54.5	39.0	16.0	77	38	74	89	5	5 - 15	15	6	8
57.0	56.4 - 57.6	37.0	16.0	77	32	77	92	5 - 10	5 - 25	15	6	8
60.3	59.7 - 60.9	37.0	16.0	77	32	82	95	5 - 10	5 - 25	15	6	8
63.5	62.9 - 64.1	37.0	16.0	77	32	84	98	5 - 10	5 - 25	15	6	8
73.0	72.2 - 73.8	56.0	16.0	94	39	95	117	5 - 10	5 - 25	35	8	10
76.1	75.3 - 76.9	56.0	16.0	94	39	100	117	5 - 10	5 - 25	35	8	10
84.0	83.2 - 84.8	45.0	16.0	94	39	112	123	5 - 10	5 - 25	35	8	10
88.9	88.0 - 89.8	41.0	16.0	94	39	117	123	5 - 10	5 - 25	35	8	10
104.0	103.0 - 105.0	37.0	16.0	94	39	133	151	5 - 10	5 - 25	35	8	10
108.0	106.9 - 109.1	35.0	16.0	94	39	133	151	5 - 10	5 - 25	35	8	10
114.3	113.2 - 115.4	34.0	16.0	94	39	139	157	5 - 10	5 - 25	35	8	10
129.0	127.7 - 130.3	33.0	16.0	108	43	160	182	5 - 15	5 - 25	60	10	12
133.0	131.7 - 134.3	33.0	16.0	108	43	160	182	5 - 15	5 - 25	60	10	12
139.7	138.3 - 141.1	32.0	16.0	109	43	168	191	5 - 15	5 - 25	60	10	12
154.0	152.5 - 155.5	32.0	16.0	109	51	186	210	5 - 15	5 - 25	60	10	12
159.0	157.4 - 160.6	31.0	16.0	109	43	187	210	5 - 15	5 - 25	60	10	12
168.3	166.6 - 170.0	29.0	16.0	109	43	200	220	5 - 15	5 - 25	60	10	12
219.1	216.9 - 221.3	26.0	16.0	150	60	259	288	5 - 15	5 - 35	100	14	16

REFER TO MINIMUM WALL THICKNESS (see Technical Manual STRAUB)

Remarks:

- Follow fitting instructions
- PN () = working pressure considering the application loads
Test pressure = PN () x 1.5 (for example industry, water supply etc.)
PN () = nominal pressure, includes four times safety factor (e.g. shipbuilding)
- The pressure values are valid on radial rigid carbon steel pipes under static loads
- Strip inserts are optional accessories (see Technical Manual STRAUB)
- Additional sealing sleeves and temperature ranges on request