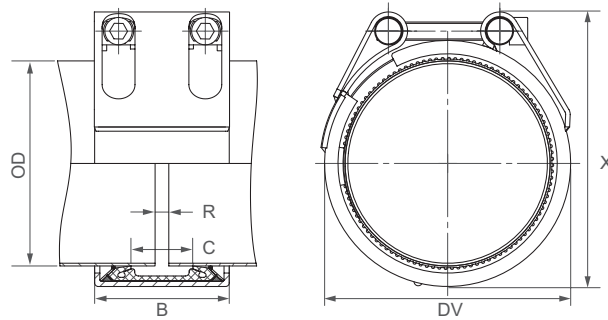


STRAUB-METAL-GRIP | \varnothing 180.0 - 609.6 mm

Components / Materials	W1	W2	W4	W5
Casing	AISI A738, hot-dip galvanised			
Bolts	AISI 4135			
Bars	AISI 12L14, galvanised			
Anchoring rings	AISI 301			
Strip insert (option)	AISI 316 L or similar / PVDF			
Sealing sleeve EPDM	Temp.: -20°C up to +100°C Medium: all qualities of water, waste water, air, solids and chemical products			
Sealing sleeve NBR	Temp.: -20°C up to +80°C Medium: water, gas, oil, fuel and other hydrocarbons			



OD [mm]	Clamping range [mm]	PN [bar]	PN [bar]	B [mm]	C [mm]	DV [mm]	X [mm]	R without strip insert [mm]	R with strip insert [mm]	Torque rate [Nm]	Allen head [mm]	Thread M...
180.0	178.0 - 182.0	29.0	16.0	148	67	225	256	5 - 15	5 - 35	150	17	20
193.7	192.0 - 195.5	29.0	16.0	148	67	239	270	5 - 15	5 - 35	150	17	20
200.0	198.0 - 202.0	28.0	15.0	148	67	245	276	5 - 15	5 - 35	180	17	20
206.0	204.0 - 208.0	28.0	15.0	148	67	251	282	5 - 15	5 - 35	180	17	20
244.5	242.0 - 247.0	27.0	14.0	148	67	290	330	5 - 15	5 - 35	180	17	20
267.0	264.5 - 269.5	24.0	12.0	148	67	312	352	5 - 15	5 - 35	180	17	20
273.0	270.5 - 275.5	21.0	12.0	148	67	318	359	5 - 15	5 - 35	180	17	20
323.9	320.5 - 327.0	18.0	10.0	148	67	369	411	5 - 15	5 - 35	230	17	20
355.6	352.0 - 359.0	17.0	8.0	148	67	401	444	5 - 15	5 - 35	230	17	20
406.4	402.5 - 410.5	14.0	8.0	148	67	451	494	5 - 15	5 - 35	230	17	20
457.2	452.5 - 462.0	8.0	6.0	148	67	502	546	5 - 15	5 - 35	250	17	20
508.0	503.0 - 513.0	6.0	5.0	148	67	553	598	5 - 15	5 - 35	250	17	20
558.8	554.0 - 564.0	6.0	4.5	148	67	604	649	5 - 15	5 - 35	300	17	20
609.6	604.5 - 614.5	5.0	4.0	148	67	655	701	5 - 15	5 - 35	300	17	20

**CONTINUOUSLY VARIABLE INTERMEDIATE SIZES FROM 180.0 TO 609.6 mm ARE AVAILABLE
REFER TO MINIMUM WALL THICKNESS (see Technical Manual STRAUB)**

Remarks:

- Follow fitting instructions
- PN (🏭) = working pressure considering the application loads
Test pressure = PN (🏭) x 1.5 (for example industry, water supply etc.)
PN (🚢) = nominal pressure, includes four times safety factor (e.g. shipbuilding)
- The pressure values are valid on radial rigid carbon steel pipes under static loads
- Strip inserts are optional accessories (see Technical Manual STRAUB)
- Additional sealing sleeves and temperature ranges on request