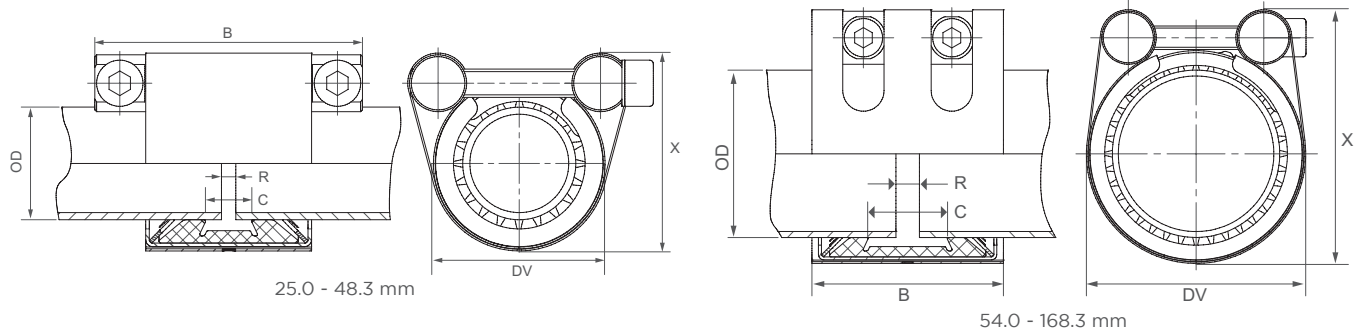


STRAUB-GRIP | \varnothing 25.0 - 168.3 mm

Components / Materials	W1	W2	W4	W5
Casing				AISI 316 L or similar
Bolts				A4 - 80
Bars				AISI 316 L or similar
Anchoring rings				AISI 301
Strip insert (option)				AISI 316 L / PVDF

Sealing sleeve EPDM	Temp.: -20°C up to +100°C	Medium: all qualities of water, waste water, air, solids and chemical products
Sealing sleeve NBR	Temp.: -20°C up to +80°C	Medium: water, gas, oil, fuel and other hydrocarbons
Sealing sleeve FPM/FKM	Temp.: -20°C up to +180°C	Medium: ozone, oxygen, acids, gas, oil and fuel (only with strip insert)



OD [mm]	Clamping range [mm]	PN [bar]	PN [bar]	B [mm]	C [mm]	DV [mm]	X [mm]	R without strip insert [mm]	R with strip insert [mm]	Torque rate [Nm]	Allen head [mm]	Thread M...
25.0	24.5 - 25.5	64.0	16.0	46.5 / 75	18	41	53	5	5 - 10	10	6	8
26.9	26.4 - 27.4	58.0	16.0	46.5 / 75	18	44	56	5	5 - 10	10	6	8
28.0	27.5 - 28.5	50.0	16.0	46.5 / 75	18	45	57	5	5 - 10	10	6	8
30.0	29.5 - 30.5	42.0	16.0	46.5 / 75	18	47	60	5	5 - 10	10	6	8
33.7	33.2 - 34.2	39.0	16.0	46.5 / 75	18	51	65	5	5 - 10	10	6	8
35.0	34.5 - 35.5	37.0	16.0	46.5 / 75	18	52	66	5	5 - 10	12	6	8
38.0	37.5 - 38.5	36.0	16.0	46.5 / 75	18	55	69	5	5 - 10	12	6	8
40.0	39.5 - 40.5	35.0	16.0	46.5 / 75	18	57	71	5	5 - 10	12	6	8
42.4	41.9 - 42.9	33.0	16.0	46.5 / 75	18	60	74	5	5 - 10	12	6	8
44.5	44.0 - 45.0	30.0	16.0	46.5 / 75	18	62	76	5	5 - 10	12	6	8
48.3	47.8 - 48.8	28.0	16.0	46.5 / 75	18	65	81	5	5 - 10	12	6	8
54.0	53.5 - 54.5	24.0	16.0	65	24	71	87	5	5 - 15	15	6	8
57.0	56.4 - 57.6	23.0	16.0	65	24	74	90	5	5 - 15	15	6	8
60.3	59.7 - 60.9	23.0	16.0	65	24	77	93	5	5 - 15	15	6	8
63.0	62.4 - 63.6	23.0	16.0	65	24	80	96	5	5 - 15	15	6	8
66.6	64.9 - 67.3	22.0	16.0	65	24	84	100	5	5 - 15	15	6	8
70.0	68.9 - 70.7	22.0	16.0	65	24	87	104	5	5 - 15	15	6	8
73.0	72.3 - 73.7	21.0	16.0	65	24	90	107	5	5 - 15	15	6	8
76.1	75.3 - 76.9	35.0	16.0	100	40	100	122	5 - 10	5 - 25	30	8	10
79.5	78.7 - 80.3	32.0	16.0	100	40	103	125	5 - 10	5 - 25	30	8	10
84.0	83.2 - 84.8	29.0	16.0	100	40	107	130	5 - 10	5 - 25	30	8	10
88.9	88.0 - 89.8	26.0	16.0	100	40	112	134	5 - 10	5 - 25	30	8	10
95.0	94.0 - 96.0	24.0	16.0	100	40	117	139	5 - 10	5 - 25	35	8	10
98.0	97.0 - 99.0	24.0	16.0	100	40	121	143	5 - 10	5 - 25	35	8	10
100.6	99.6 - 101.6	23.0	16.0	100	40	124	146	5 - 10	5 - 25	35	8	10
101.6	100.6 - 102.6	23.0	16.0	100	40	125	146	5 - 10	5 - 25	35	8	10
104.0	103.0 - 105.0	23.0	16.0	100	40	127	148	5 - 10	5 - 25	35	8	10
104.8	103.8 - 105.8	23.0	16.0	100	40	128	150	5 - 10	5 - 25	35	8	10
108.0	106.9 - 109.1	22.0	16.0	100	40	132	154	5 - 10	5 - 25	35	8	10
114.3	113.2 - 115.4	22.0	16.0	100	40	138	160	5 - 10	5 - 25	35	8	10
118.0	116.9 - 119.1	22.0	16.0	100	40	142	166	5 - 10	5 - 25	35	8	10
125.0	123.7 - 126.3	21.0	16.0	115	53	152	174	5 - 10	5 - 30	45	10	12
127.0	125.7 - 128.3	21.0	16.0	115	53	154	176	5 - 10	5 - 30	45	10	12
129.0	127.7 - 130.3	21.0	16.0	115	53	156	178	5 - 10	5 - 30	45	10	12
130.2	128.9 - 131.5	21.0	16.0	115	53	157	179	5 - 10	5 - 30	45	10	12
133.0	131.7 - 134.3	21.0	16.0	115	53	160	182	5 - 10	5 - 30	45	10	12
139.7	138.3 - 141.1	20.0	16.0	115	53	166	189	5 - 10	5 - 30	45	10	12
141.3	139.9 - 142.7	20.0	16.0	115	53	168	190	5 - 10	5 - 30	45	10	12
144.0	142.6 - 145.4	20.0	16.0	115	53	171	183	5 - 10	5 - 30	50	10	12
154.0	152.5 - 155.5	18.0	16.0	115	53	181	203	5 - 10	5 - 30	50	10	12
159.0	157.4 - 160.6	18.0	16.0	115	53	186	208	5 - 10	5 - 30	50	10	12
165.0	163.4 - 166.6	16.0	16.0	115	53	192	214	5 - 10	5 - 30	50	10	12
168.3	166.6 - 170.0	16.0	16.0	115	53	195	217	5 - 10	5 - 30	50	10	12

REFER TO MINIMUM WALL THICKNESS (see Technical Manual STRAUB)

- Follow fitting instructions
- According to DIN 86128
- PN () = working pressure considering the application loads
Test pressure = PN () x 1.5 (for example industry, water supply etc.)
- PN () = nominal pressure, includes four times safety factor (e.g. shipbuilding)
- The pressure values are valid on radial rigid carbon steel pipes under static loads
- Strip inserts are optional accessories (see Technical Manual STRAUB)
- Additional sealing sleeves and temperature ranges on request