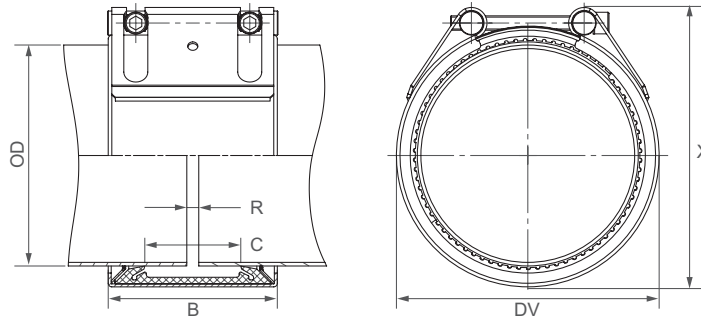


# STRAUB-GRIP | $\varnothing$ 180.0 - 711.2 mm

Components / Materials	W1	W2	W4	W5
Casing		AISI 316 L or similar		AISI 316 L or similar
Bolts		AISI 4135		A4 - 80
Bars		AISI 12L14, galvanised		AISI 316 L
Anchoring rings		AISI 301		AISI 301
Strip insert (option)		AISI 316 L or similar / HDPE		AISI 316 L or similar / HDPE

<b>Sealing sleeve EPDM</b>	Temp.: -20°C up to +100°C	Medium: all qualities of water, waste water, air, solids and chemical products
<b>Sealing sleeve NBR</b>	Temp.: -20°C up to +80°C	Medium: water, gas, oil, fuel and other hydrocarbons
<b>Sealing sleeve FPM/FKM</b>	Temp.: -20°C up to +180°C	Medium: ozone, oxygen, acids, gas, oil and fuel (only with strip insert)



OD [mm]	Clamping range [mm]	PN [bar]	PN [bar]	B [mm]	C [mm]	DV [mm]	X [mm]	R without strip insert [mm]	R with strip insert [mm]	Torque rate [Nm]	Allen head [mm]	Thread M...
180.0	178.0 - 182.0	16.0	10.0	141	80	205	233	5 - 10	5 - 35	50	10	12
193.7	192.0 - 195.5	16.0	10.0	141	80	224	243	5 - 10	5 - 35	50	10	12
200.0	198.0 - 202.0	15.0	10.0	141	80	230	249	5 - 10	5 - 35	50	10	12
204.0	202.0 - 206.0	14.0	10.0	141	80	234	253	5 - 10	5 - 35	50	10	12
206.0	204.0 - 208.0	14.0	5.5	141	80	234	253	5 - 10	5 - 35	50	10	12
219.1	216.9 - 221.3	16.0	10.0	142	80	250	269	5 - 10	5 - 30	60	10	12
244.5	242.0 - 247.0	9.0	5.5	141	80	275	294	5 - 10	5 - 35	50	10	12
250.0	247.5 - 252.5	9.0	5.5	141	80	280	299	5 - 10	5 - 35	50	10	12
254.0	251.5 - 256.5	9.0	5.5	141	80	284	303	5 - 10	5 - 35	50	10	12
256.0	253.5 - 258.5	9.0	5.5	141	80	284	303	5 - 10	5 - 35	50	10	12
267.0	264.5 - 269.5	8.0	5.0	141	80	297	316	5 - 10	5 - 35	50	10	12
273.0	270.5 - 275.5	7.0	4.0	141	80	303	322	5 - 10	5 - 35	60	10	12
<b>273.0</b>	<b>270.5 - 275.5</b>	<b>16.0</b>	<b>4.0</b>	<b>141</b>	<b>80</b>	<b>303</b>	<b>326</b>	<b>5 - 10</b>	<b>5 - 35</b>	<b>80</b>	<b>14</b>	<b>16</b>
306.0	303.0 - 309.0	6.0	3.0	141	80	334	353	5 - 10	5 - 35	60	10	12
323.9	320.5 - 327.0	5.0	3.0	141	80	354	373	5 - 10	5 - 35	60	10	12
<b>323.9</b>	<b>320.5 - 327.0</b>	<b>13.0</b>	<b>3.0</b>	<b>141</b>	<b>80</b>	<b>354</b>	<b>377</b>	<b>5 - 10</b>	<b>5 - 35</b>	<b>90</b>	<b>14</b>	<b>16</b>
355.6	352.0 - 359.0	10.0	2.5	141	80	386	405	5 - 10	5 - 35	90	14	16
406.4	402.5 - 410.5	7.0	2.0	141	80	436	455	5 - 10	5 - 35	100	14	16
457.2	452.5 - 461.5	5.0	-	141	80	487	506	5 - 10	5 - 35	100	14	16
508.0	503.5 - 512.5	4.0	-	141	80	538	557	5 - 10	5 - 35	110	14	16
558.8	554.5 - 563.5	3.0	-	141	80	589	608	5 - 10	5 - 35	110	14	16
609.6	605.5 - 614.0	2.0	-	141	80	640	659	5 - 10	5 - 35	120	14	16
711.2	707.0 - 715.0	1.0	-	141	80	742	761	5 - 10	5 - 35	120	14	16

**CONTINUOUSLY VARIABLE INTERMEDIATE SIZES FROM 180.0 TO 711.2.6 mm ARE AVAILABLE**  
**REFER TO MINIMUM WALL THICKNESS (see Technical Manual STRAUB)**

## Remarks:

- Follow fitting instructions
- PN ( ) = working pressure considering the application loads  
 Test pressure = PN ( ) x 1.5 (for example industry, water supply etc.)  
 PN ( ) = nominal pressure, includes four times safety factor (e.g. shipbuilding)
- The pressure values are valid on radial rigid carbon steel pipes under static loads
- Strip inserts are optional accessories (see Technical Manual STRAUB)
- Additional sealing sleeves and temperature ranges on request