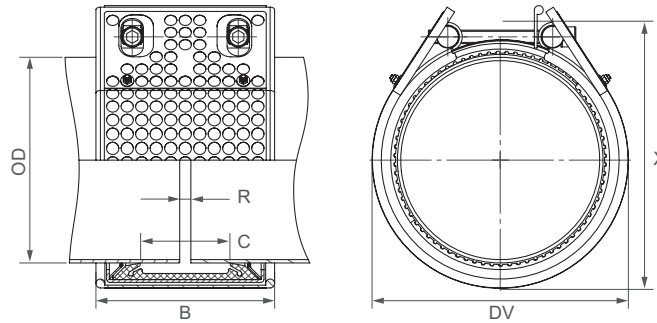


STRAUB-GRIP-FIRE-FENCE | Ø 180.0 - 406.4 mm

Components / Materials	W1	W2	W4	W5
Casing		AISI 316 L or similar		AISI 316 L or similar
Bolts		AISI 4135		A4 - 80
Bars		AISI 12L14, galvanised		AISI 316 L or similar
Anchoring rings		AISI 301		AISI 301
Strip insert (option)		AISI 316 L or similar / HDPE		AISI 316 L or similar / HDPE
Sealing sleeve EPDM	Temp.: -20°C up to +100°C Medium: all qualities of water, waste water, air, solids and chemical products			
Sealing sleeve NBR	Temp.: -20°C up to +80°C Medium: water, gas, oil, fuel and other hydrocarbons			
Sealing sleeve FPM/FKM	Temp.: -20°C up to +180°C Medium: ozone, oxygen, acids, gas, oil and fuel (only with strip insert)			



OD [mm]	Clamping range [mm]	PN [bar]	PN [bar]	B [mm]	C [mm]	DV [mm]	X [mm]	R without strip insert [mm]	R with strip insert [mm]	Torque rate [Nm]	Allen head [mm]	Thread M...
180.0	178.0 - 182.0	16.0	10.0	158	80	260	238	5 - 10	5 - 35	50	10	12
193.7	192.0 - 195.5	16.0	10.0	158	80	275	248	5 - 10	5 - 35	50	10	12
200.0	198.0 - 202.0	15.0	10.0	158	80	280	254	5 - 10	5 - 35	50	10	12
204.0	202.0 - 206.0	14.0	10.0	158	80	285	258	5 - 10	5 - 35	50	10	12
206.0	204.0 - 208.0	14.0	5.5	158	80	234	258	5 - 10	5 - 35	50	10	12
219.1	216.9 - 221.3	16.0	10.0	142	80	250	274	5 - 10	5 - 30	60	10	12
244.5	242.0 - 247.0	9.0	5.5	158	80	325	299	5 - 10	5 - 35	50	10	12
250.0	247.5 - 252.5	9.0	5.5	158	80	330	304	5 - 10	5 - 35	50	10	12
254.0	251.5 - 256.5	9.0	5.5	158	80	330	308	5 - 10	5 - 35	50	10	12
256.0	253.5 - 258.5	9.0	5.5	158	80	284	308	5 - 10	5 - 35	50	10	12
267.0	264.5 - 269.5	8.0	5.0	158	80	345	321	5 - 10	5 - 35	50	10	12
273.0	270.5 - 275.5	7.0	4.0	158	80	350	327	5 - 10	5 - 35	60	10	12
304.0	301.0 - 307.0	6.0	4.0	158	80	380	331	5 - 10	5 - 35	60	10	12
306.0	303.0 - 309.0	6.0	3.0	158	80	334	358	5 - 10	5 - 35	60	10	12
323.9	320.5 - 327.0	5.0	3.0	158	80	400	378	5 - 10	5 - 35	60	10	12
355.6	352.0 - 359.0	10.0	2.5	158	67	430	410	5 - 10	5 - 35	90	14	16
406.4	402.5 - 410.5	7.0	2.0	158	67	475	460	5 - 10	5 - 35	100	14	16

REFER TO MINIMUM WALL THICKNESS (see Technical Manual STRAUB)

Remarks:

- Follow fitting instructions
- PN (🏭) = working pressure considering the application loads
Test pressure = PN (🏭) x 1.5 (for example industry, water supply etc.)
PN (🚢) = nominal pressure, includes four times safety factor (e.g. shipbuilding)
- The pressure values are valid on radial rigid carbon steel pipes under static loads
- Strip inserts are optional accessories (see Technical Manual STRAUB)
- Additional sealing sleeves and temperature ranges on request