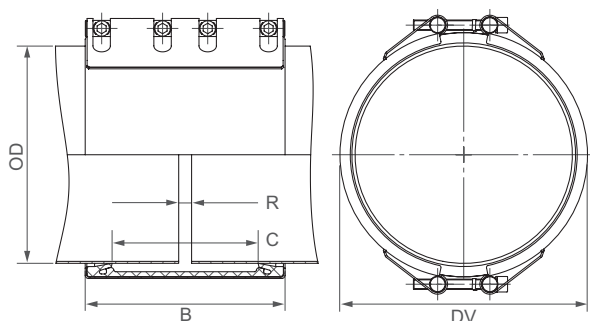


# STRAUB-OPEN-FLEX 3.5 | $\varnothing$ 323.9 - 4064.0 mm

Components / Materials	W1	W2	W4	W5
Casing	S355MC, hot-dip galvanised			S32101
Bolts	AISI 4135			A4 - 80
Bars	AISI 12L14, galvanised			AISI 316 L or similar
Strip insert	AISI 316 L or similar / HDPE			AISI 316 L or similar / HDPE

<b>Sealing sleeve EPDM</b>	Temp.: -20°C up to +100°C			
	Medium: all qualities of water, waste water, air, solids and chemical products			
<b>Sealing sleeve NBR</b>	Temp.: -20°C up to +80°C			
	Medium: water, gas, oil, fuel and other hydrocarbons			



B  $\Rightarrow$  310 up to 311 mm  
 DV  $\Rightarrow$  OD + 38 mm  
 C  $\Rightarrow$  227 mm  
 R with strip insert  $\Rightarrow$  120 mm  
 R without strip insert  $\Rightarrow$  20 mm

	W1 or W5
	only in W5 available

OD [mm]	Clamping range [mm]	PN						
		2.5	6	10	16	20	25	
323.9	318 - 329							
355.6	350 - 372							
406.4	400 - 412							
457.2	451 - 463							
508.0	502 - 514							
558.8	553 - 565							
609.6	603 - 617							
655.0	649 - 661							
711.2	705 - 717							
762.0	756 - 768							
812.8	807 - 819							
914.4	908 - 920							
1016.0	1009 - 1024							
1117.6	1109 - 1126							
1219.2	1212 - 1227							
1320.8	1314 - 1328							
1422.4	1415 - 1430							
1524.0	1517 - 1532							
1600.0	1593 - 1608							
1625.0	1618 - 1633							
1727.2	1720 - 1735							
1828.8	1822 - 1837							
1930.4	1923 - 1938							
2032.0	2023 - 2041							
2268.0	2259 - 2277							
2540.0	2531 - 2549							
2794.0	2785 - 2803							
3048.0	3039 - 3057							
3302.0	3293 - 3311							
3556.0	3547 - 3565							
3810.0	3801 - 3819							
4064.0	4055 - 4073							

**CONTINUOUSLY VARIABLE INTERMEDIATE SIZES FROM 323.9 TO 4064.0 mm ARE AVAILABLE**

## Remarks:

- Follow fitting instructions
- PN = working pressure considering the application loads  
Test pressure = PN x 1.5 (for example industry, water supply etc.)
- Strip inserts included
- Additional sealing sleeves, pressure and temperature ranges on request
- From  $\varnothing$  3048 in 3-part design