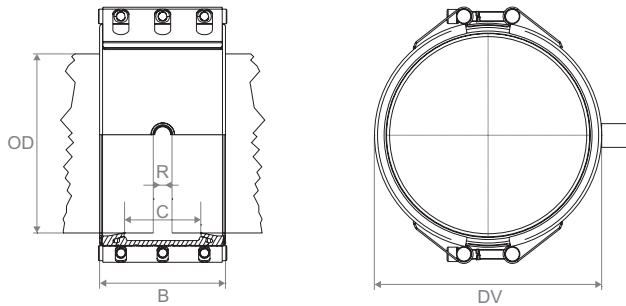
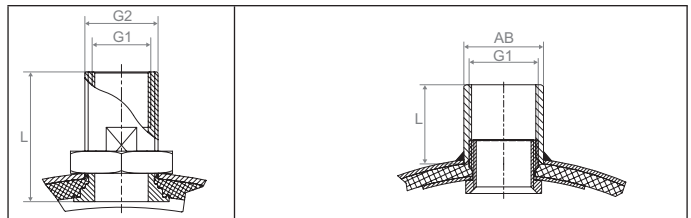


Components / Materials	W1	W2	W5
Casing	AISI A106, hot-dip galv.	AISI 316 L / 316 TI	AISI 316 L / 316 TI / S32101 (LDX)
Bolts	AISI 4135	AISI 4135	A4-80
Bars	AISI 12 L 14 galvanised	AISI 12 L 14, galvanised	AISI 316 L
Strip insert (on request)	AISI 316 L / HDPE	AISI 316 L / HDPE	AISI 316 L / HDPE
GT side outlet	AISI 316 L	AISI 316 L	AISI 316 L

Sealing sleeve EPDM	Temp.: -20°C up to +100°C Medium: all qualities of water, waste water, air, solids and chemical products
Sealing sleeve NBR	Temp.: -20°C up to +80°C Medium: water, gas, oil, fuel and other hydrocarbons
Sealing sleeve FPM / FKM	Temp.: -20°C up to +180°C Medium: ozone, oxygen, acids, gas, oil and fuel (only with stainless steel strip insert)



- B** Width of pipe coupling:
 OPEN-FLEX 2 L = 138mm OPEN-FLEX 2 LV = 141mm
 OPEN-FLEX 2 LS = 139mm OPEN-FLEX 2 H = 142mm
 OPEN-FLEX 2 LU = 141mm OPEN-FLEX 2 XS = 148mm
- DV** Outside diameter of the coupling installed = OD+27mm
- C** Distance between sealing lips = 91mm
- R_{max}** Distance between pipe ends with strip insert = 35mm
 Distance between pipe ends without strip insert = 10mm



G1		G 1/4"	G 3/4"	G 1"	G 1 1/4"	G 1 1/2"	G 2"						
G2 / AB		G 1/2"	G 1"	39.5mm	48.3mm	54.5mm	66.3mm						
Length L				43.0mm	48.0mm	48.0mm	56.0mm						
Pipe OD [mm]	Clamping range [mm]	Working pressure PS [bar]						Version 1 screwed	Version 2 screwed	Version 3 welded	Version 4 welded	Version 5 welded	Version 6 welded
		L	LS	LU	LV	H	XS						
172.0	169 - 175	13.0						x	x				
180.0	177 - 183	12.0	16.5	25.0				x	x	x			
200.0	197 - 203	11.0	15.0	25.0				x	x	x			
219.1	216 - 223	10.0	13.5	25.0				x	x	x			
250.0	247 - 254	9.0	12.0	24.0				x	x	x			
267.0	263 - 272	8.0	11.0	22.5				x	x	x			
273.0	269 - 278	8.0	11.0	22.0	25.0	25.0	25.0	x	x	x	x		
304.0	300 - 309	7.0	10.0	19.5	25.0	25.0	25.0	x	x	x	x		
323.9	320 - 329	7.0	9.5	18.5	25.0	25.0	25.0	x	x	x	x		
355.6	352 - 360	6.0	8.5	17.0	25.0	25.0	25.0	x	x	x	x		
406.4	403 - 411	5.5	7.5	15.0	25.0	22.0	25.0	x	x	x	x	x	
457.2	453 - 462	5.0	6.5	13.0	25.0	19.0	25.0	x	x	x	x	x	
508.0	504 - 513	4.5	6.0	12.0	24.0	17.0	25.0	x	x	x	x	x	
558.8	555 - 564	4.0	5.5	10.5	22.0	16.0	25.0	x	x	x	x	x	x
609.6	604 - 615	3.5	5.0	10.0	20.0	14.0	25.0	x	x	x	x	x	x
711.2	707 - 717		4.0	8.5	17.0	12.0	25.0	x	x	x	x	x	x
762.0	756 - 768		4.0	8.0	16.0	12.0	23.5	x	x	x	x	x	x
812.8	807 - 819		3.5	7.5	15.0	11.0	22.0	x	x	x	x	x	x
914.4	908 - 920		3.5	6.5	13.0	10.0	20.0	x	x	x	x	x	x
1016.0	1010 - 1022		3.0	6.0	11.0	9.0	18.0	x	x	x	x	x	x
1117.6	1112 - 1124		2.5	5.5	10.0	8.0	16.0	x	x	x	x	x	x
1219.2	1213 - 1226		2.5	5.0	9.0	7.0	15.0	x	x	x	x	x	x
1320.8	1314 - 1328		2.5	4.5	8.5	7.0	15.0	x	x	x	x	x	x
1422.4	1416 - 1429		2.0	4.0	8.0	6.0	14.0	x	x	x	x	x	x
1524.0	1514 - 1532		2.0	4.0	8.0	6.0	14.0	x	x	x	x	x	x
1600.0	1593 - 1608		2.0	4.0	7.5	6.0	13.0	x	x	x	x	x	x
1625.6	1619 - 1634			3.0	7.0	6.0	13.0	x	x	x	x	x	x
1727.2	1720 - 1735			3.0	6.5	5.5	12.0	x	x	x	x	x	x
1828.8	1822 - 1837			2.5	6.0	5.0	11.0	x	x	x	x	x	x
1930.4	1923 - 1938			2.0	6.0	4.5	10.0	x	x	x	x	x	x
2032.0	2025 - 2040			2.0	5.5	4.0	10.0	x	x	x	x	x	x

STRAUB produces custom made couplings from 172.0 up to 2032.0mm

- STRAUB-OPEN-FLEX 2 L-, H- and XS only in version 1 + 2
- Version 1 + 2 with outside- and inside thread
- Version 3 - 6 with inside thread and outside blank (AB)
- Only in two-piece version available
- Torque rate see Technical Manual Straub