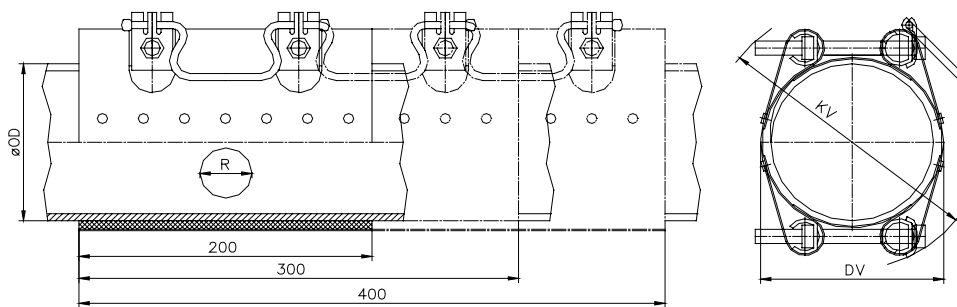


## STRAUB-CLAMP SCZ Ø 88.0 - 440.0 mm

Components	Materials
Casing	AISI 304
Bolts	A2 - 70
Bars	AISI 304
<b>Sealing sleeve</b> <b>EPDM</b>	Temp.: -5°C up to +40°C Medium: all qualities of water, waste water, air, solids and chemical products
<b>Sealing sleeve</b> <b>NBR</b>	Temp.: -5°C up to +40°C Medium: water, gas, oil, fuel and other hydrocarbons



Clamp length	R <sub>max</sub>
200 mm	50 mm
300 mm	150 mm
400 mm	250 mm

OD [mm]	Clamping range [mm]	PN <sup>7</sup> [bar]	2 locking bolts [mm]	3 locking bolts [mm]	4 locking bolts [mm]	DV [mm]	KV [mm]	Torque rate [Nm]	Allen head [mm]	Thread M...
88.0	88 - 110	16.0	200	300	400	117	186	20	17	10
100.0	100 - 120	16.0	200	300	400	132	197	20	17	10
108.0	108 - 128	16.0	200	300	400	140	204	20	17	10
114.0	114 - 134	16.0	200	300	400	146	209	20	17	10
120.0	120 - 140	16.0	200	300	400	152	215	20	17	10
130.0	130 - 150	16.0	200	300	400	162	288	20	19	12
140.0	140 - 160	16.0	200	300	400	172	237	35	19	12
159.0	159 - 180	16.0	200	300	400	192	255	35	19	12
168.0	168 - 189	16.0	200	300	400	201	264	35	19	12
190.0	190 - 210	16.0	200	300	400	190	284	35	19	12
210.0	210 - 230	10.0	200	300	400	242	303	35	19	12
218.0	218 - 238	10.0	200	300	400	252	312	35	19	12
240.0	240 - 260	10.0	200	300	400	272	332	35	19	12
269.0	269 - 289	10.0	200	300	400	301	360	35	19	12
282.0	282 - 302	10.0	200	300	400	314	373	35	19	12
315.0	315 - 335	10.0	200	300	400	347	405	40	19	12
322.0	322 - 344	10.0		300	400	356	413	40	19	12
337.0	337 - 358	6.0		300	400	370	427	40	19	12
347.0	347 - 367	6.0		300	400	379	436	40	19	12
365.0	365 - 385	5.0			400	397	453	40	19	12
390.0	390 - 410	5.0			400	422	478	40	19	12
410.0	410 - 430	5.0			400	442	498	40	19	12
420.0	420 - 440	5.0			400	452	508	40	19	12

### Remarks:

- Follow fitting instructions
- Different pipe diameters (transition) are not possible
- Test pressure = PN x 1.5
- Radial length of damaged area max. 20% of pipe outside diameters
- The repair clamp must be centred over the damaged area

<sup>7</sup> Working pressure for gas: max. 5 bar